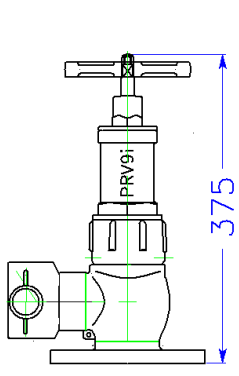
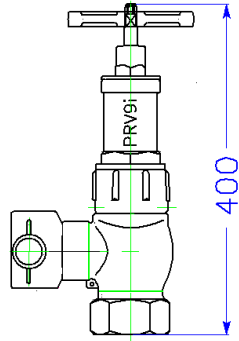


Shown below are some typical valve configurations

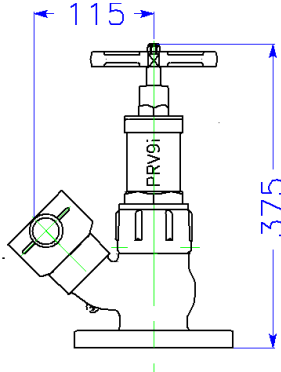
All configurations are FM Approved



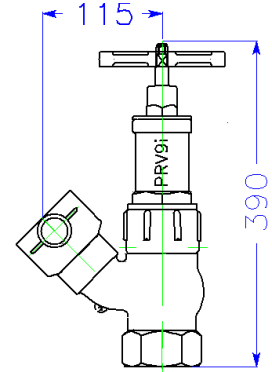
Right Angle Pattern



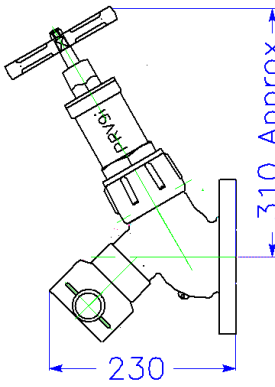
Right Angle Pattern



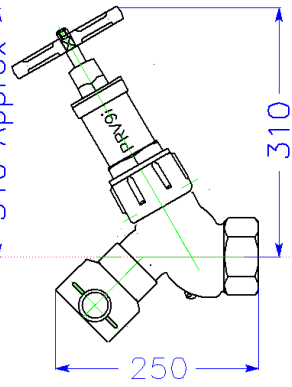
Oblique Pattern



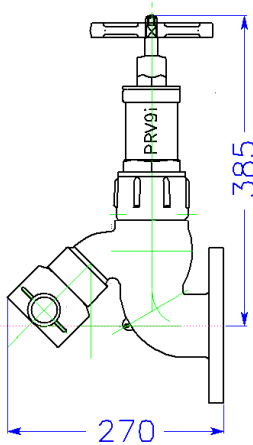
Oblique Pattern



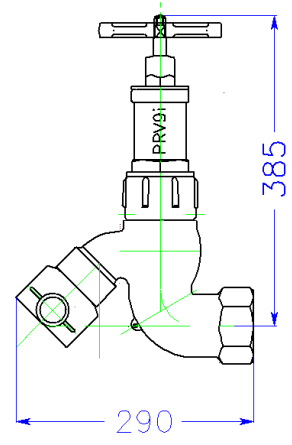
Bib Nose Pattern
30deg Spindle



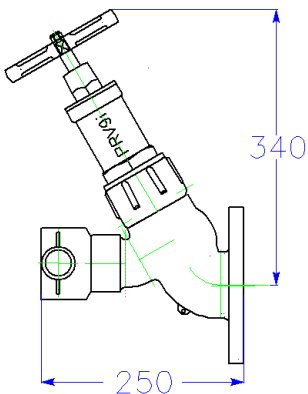
Bib Nose Pattern
30deg Spindle



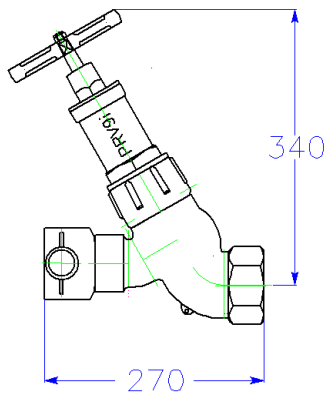
Bib Nose Pattern
Vertical Spindle



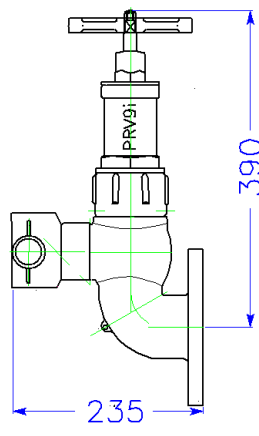
Bib Nose Pattern
Vertical Spindle



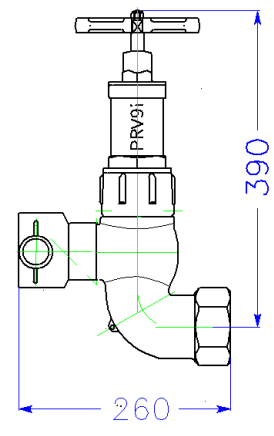
Horizontal Pattern
30 deg Spindle



Horizontal Pattern
30 deg Spindle



Horizontal Pattern
Vertical Spindle



Horizontal Pattern
Vertical Spindle